

SpaLink RS[®] Flush Mount Mud Box

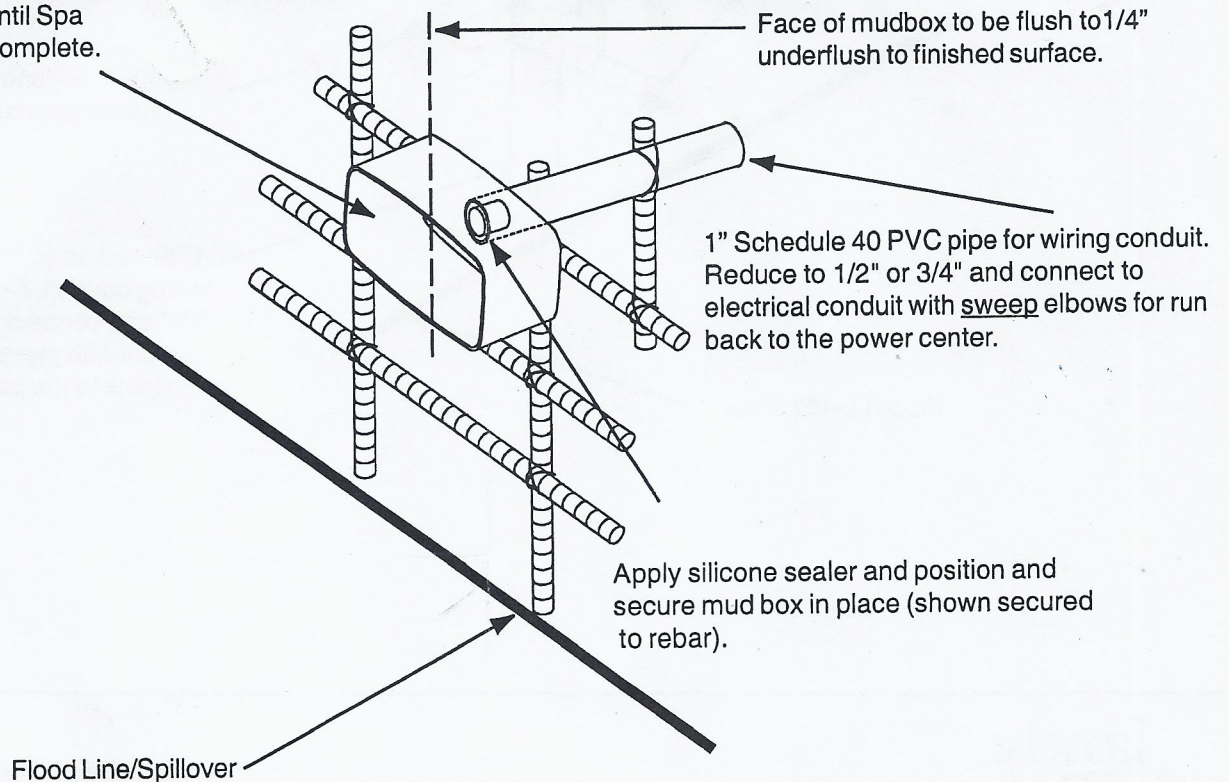
FOR YOUR SAFETY: This product must be installed and serviced by a professional service technician, qualified in pool/spa installation and maintenance. Improper installation and/or operation will void the warranty.

This document gives instructions for installing the SpaLink RS Flush Mount Mud Box. Read through the instructions completely before starting the procedure.

1. The mud box is for use with the *new style SpaLink that is provided with a matching snap-on frame. The mud box will not work with the earlier version of SpaLink.*
2. The SpaLink must be installed above the flood line/spillover (highest point that water can reach if the vessel is flooded).
3. The mud box is for use in either tile or concrete installations. For deck or wall installations, the mud box is not required. See the SpaLink instructions for installation in decking.

Rough-in for installation on a vertical wall.

Leave the foam insert in place.
Do not remove until Spa
construction is complete.



Rough-in for installation in a horizontal surface.

