

VS FLOPRO VARIABLE
SPEED PUMP

With Digital Controller



Save Time, Money
and Space



- » Easy to install retrofit solution
- » Energy-efficient variable-speed motor
- » Digital controller included (2 timed speeds/8 speeds)



» Power reduction means up to 90% savings on electric bill

» Complies with Appliance Efficiency Standards (Title 20)



Saving up to 90%
on your electric bill
never felt so good*

Energy-efficient variable-speed motor



⤴
Digital controller included
(2 timed speeds/8 speeds)

Compact
High performance pump in an ultra compact body. Ideal for small equipment areas.

Durable
Constructed of corrosion resistant materials for optimal performance and longevity.

Quiet
Controlled flow dynamics for ultra-quiet operation.

>> Qualifies for power rebates***



Average Annual Energy Savings

VS FloPro vs. Single-Speed Pump

\$1,185**

Annual Cost

ONLY \$235

VS FloPro 2 H.P. Variable Speed Pump

Based on 14 hour run time at low speed**

\$1420

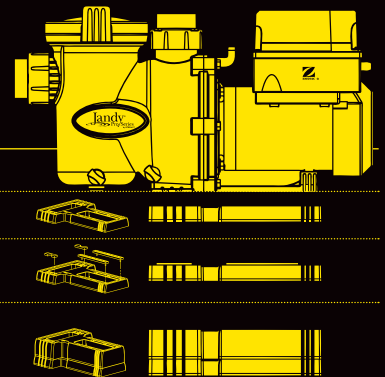
Other 2 H.P. Single-Speed Pumps

Based on 8 hour run time per day**

Easy to install and service

Quick-change adjustable base for easy drop-in replacment for most leading pumps.

| Type of Base | Components | Fits |
|-----------------|-------------------------|--------------------------------------------------------------------|
| Option 1 | No base required | Hayward® Super Pump® |
| Option 2 | Small base | Pentair WhisperFlo®, Sta-Rite® Dyna-Glas® |
| Option 3 | Small base with spacers | Hayward Super II , Jandy PlusHP by Zodiac, Jandy Max HP by Zodiac, |
| Option 4 | Small base + large base | Sta-Rite DuraGlas, DuraGlas II Max-E-Pro, Max-E-Glas |



* Actual savings dependent on pump horse power, usage and energy costs.

** Based on a 30,000 gallon pool run at .20 kW per hour 365 days a year.

*** Where offered.



Service and Installation Features



Universal 2 inch unions included



Ergonomic easy-transport handle



High profile easy-grip handles with large capacity basket

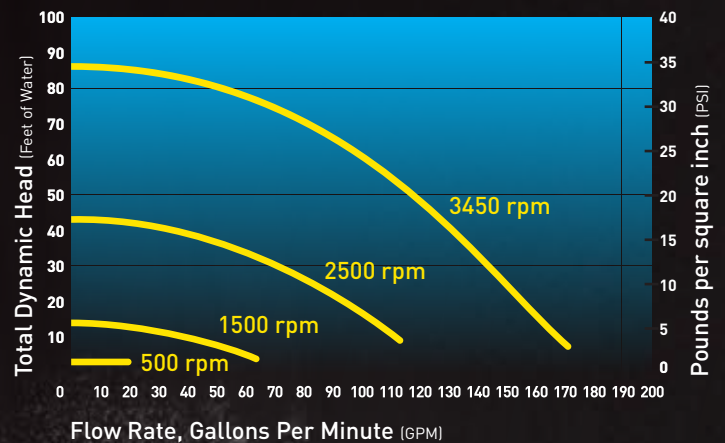


Drain plugs with easy to use ergonomic handles

Specifications

| | |
|----------------------|----------------------------------------------------------------------------|
| Model Number | VS-FHP 2.0 |
| Horse Power | 2.0 |
| Voltage | 230 VAC |
| Watts | 2400 |
| Pipe Size | 2½" – 3" |
| Dimensions | Height: 12 ¾" (32.3 cm) Width: 10" (25.5 cm) Length: 24 ½" (62.3 cm) |
| Pump Weight | 41.40 lb. |
| Carton weight | 42 lbs. |

Performance Curve



ZODIAC POOL AND SPA PRODUCTS

Pumps Heat Pumps Valves Cleaners Pool Covers
 Filters Controls Water Features In-Floor Accessories
 Heaters Water Purification Lighting Water Leveling

Zodiac Pool Systems, Inc.

2620 Commerce Way, Vista, CA 92081
 1.800.822.7933 | www.ZodiacPoolSystems.com

Zodiac Pool Systems Canada, Inc.

2115 South Service Road West, Unit #3, Oakville, ON L6L 5W2
 1.888.647.4004 | www.ZodiacPoolSystems.ca